

*RTD sensor with head
for contact duct*

**TBCT 50 / TBCTD 50
TMCT 50 / TMCTD 50**



Supplied with clip for DN 100 duct

■ **Transmitter features**

Working temperature	<i>for mounting TBCT type</i>
<i>(according to reference)</i>	from -50°C to +400°C (PT100 and PT1000) from -20°C to +120°C (NTC)
	<i>for mounting TMCT type</i>
	from -50°C to +250°C (PT100 and PT1000) from -20°C to +120°C (NTC)
Accuracy	PT100 or PT1000 : see "Tolerances" table NTC : see "Tolerances" table
Type of sensor	PT100 or PT1000 : Class B, Class A, 1/3 DIN as per DIN IEC751 NTC : resistance at 25°C, R ₂₅ = 10KΩ Nominal Beta B25/85 value = 3,695K ±1%

Mounting of wires	<i>for mounting TBCT type</i>
	single pair 2, 3 or 4 wires or multipair 4 or 6 wires No 6 wires for H mounting (+400°C)
	<i>for mounting TMCT type</i>
	single pair 2, 3 wires or multipair 4 wires only



Storage temperature	from -20°C to +80°C
Height of clearance	45 mm
Duct base	40 x 16 x 8,5 mm V-section Fixing by needle screw AU4G material (aluminium)
Fitting	supplied with stainless steel clip for DN 100 other clip on request
Electrical connection	with or without terminal block 4/20 mA transmitter as option
Connection head	Aluminium alloy cable gland : M20 x 1,5 IP65 protection

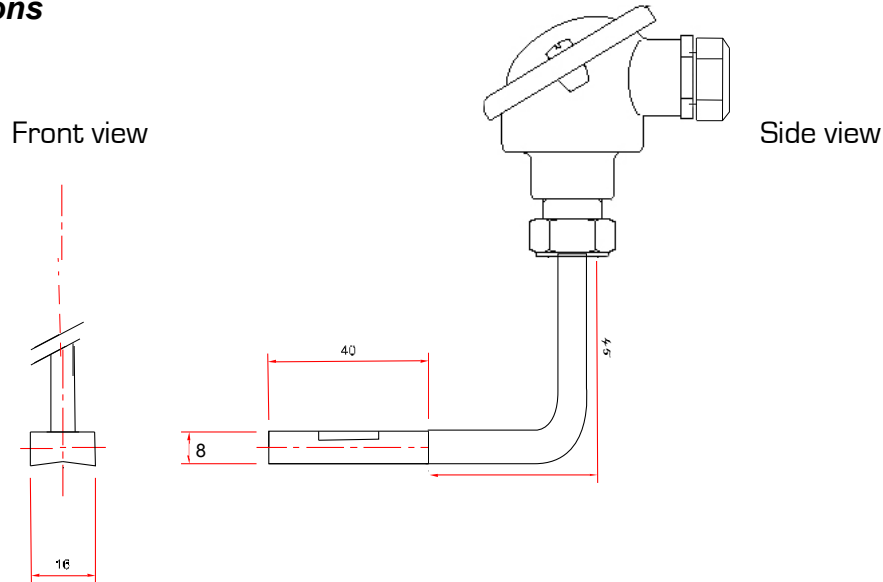
■ **Probe features**

- Temperature sensor with base for all diameters ducts
- Measuring range (according to reference)
 from -50°C to +400°C (PT100 et PT1000).
 from -20°C to +120°C (NTC).
- Mounting of wires : **single pair** (2,3 or 4 wires).
 multipair (4 or 6 wires).
- For other resistor type PT25, PT50, PT500, PT200
or NI, please contact us.

TBCT 50 & TBCTD 50

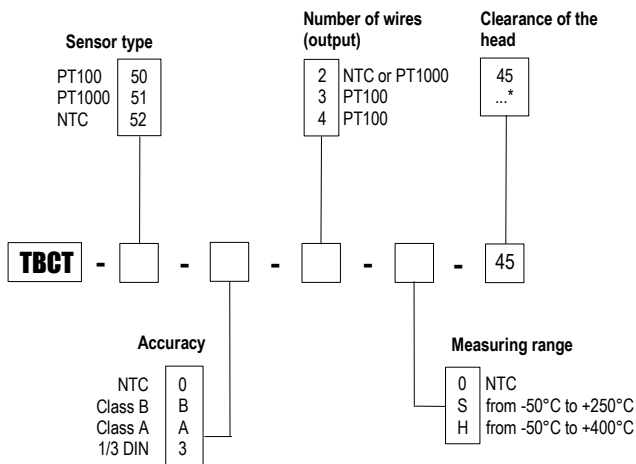
Temperature sensor with standard head and with contact for duct

Probe dimensions

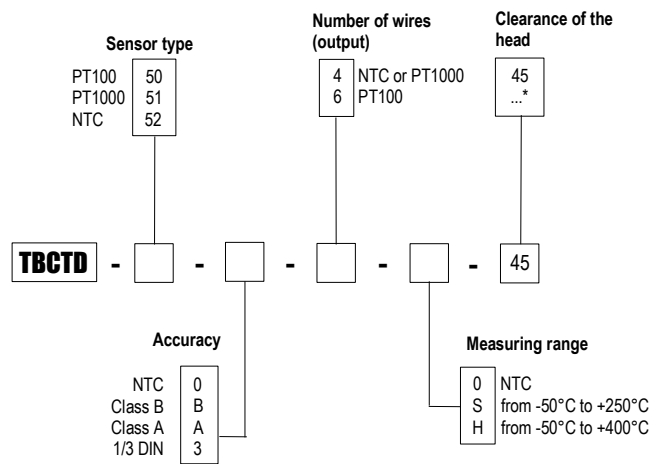


Références

• Single pair sensor – Ref. TBCT 50



• Multipair sensor – Ref. TBCTD 50



Example : TBCT51-B-2-S-45

Model : PT1000 temperature sensor Class B, 2 wires, clearance of the head at 45°. Measuring range from -50 à +250°C.

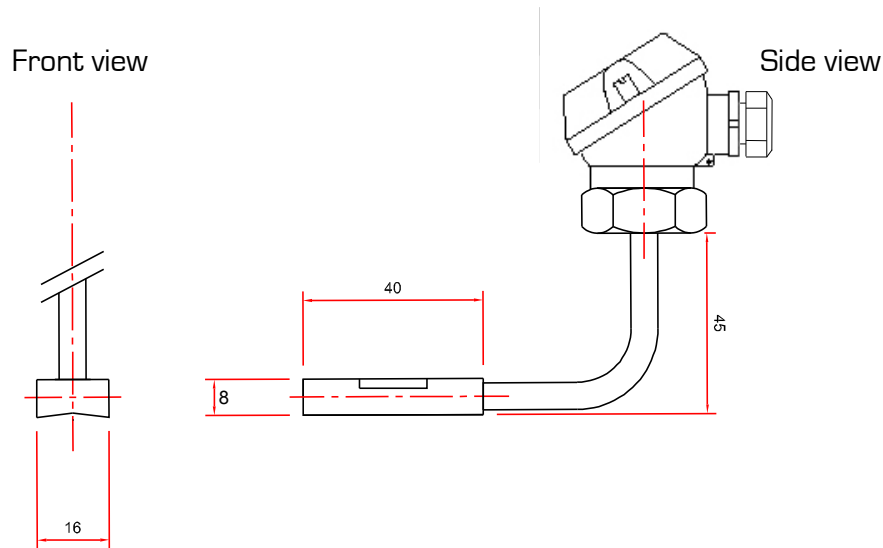
Example : TBCTD51-B-4-S-45

Model : PT1000 temperature sensor Class B, 4 wires, clearance of the head at 45°. Measuring range from -50 à +250°C.

TMCT 50 & TMCTD 50

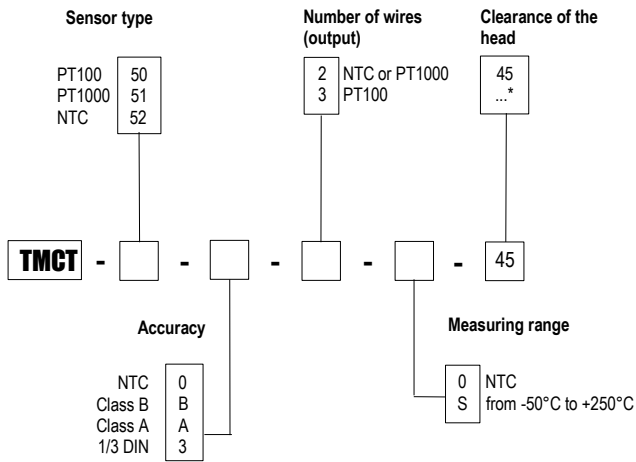
Temperature sensor with miniature head and with contact for duct

■ Dimensions probe



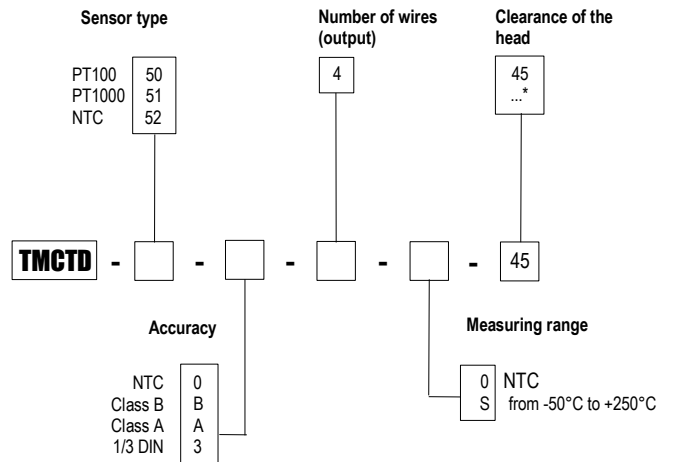
■ Part numbers

• Single pair sensor – Ref. **TMCT 50**



* Other on request

• Multipair sensor – Ref. **TMCTD 50**



* Other on request

Example : **TMCT51-B-2-S-45**

Model : PT1000 temperature sensor Class B, 2 wires, clearance of the head at 45°.
Measuring range from -50 à +250°C.

Example : **TMCTD51-B-4-S-45**

Model : PT1000 temperature sensor Class B, 4 wires, clearance of the head at 45°.
Measuring range from -50 à +250°C.

Tolerance* of PT100 and PT1000 probes.

Norms as per IEC 751 (1993), BS 1904 (1984) and DIN 43760 (1980).

Temp °C	Tolerances					
	Class B		Class A		1/3 DIN	
	± °C	± Ohms	± °C	± Ohms	± °C	± Ohms
-100	0,8	0,32	0,35	0,14	0,27	0,11
-50	0,55	0,22	0,25	0,1	0,19	0,08
0	0,3	0,12	0,15	0,06	0,1	0,04
100	0,8	0,3	0,35	0,13	0,27	0,1
200	1,3	0,48	0,55	0,2	0,44	0,16
300	1,8	0,64	0,75	0,27	0,6	0,21
400	2,3	0,79	0,95	0,33	0,77	0,26

*Resistance values for PT1000 (Ω) must be multiplied by 10 for the same corresponding temperature value (°C). I.e : at 0°C for Class B PT1000 ± 0.3°C → ± 1.2 Ω

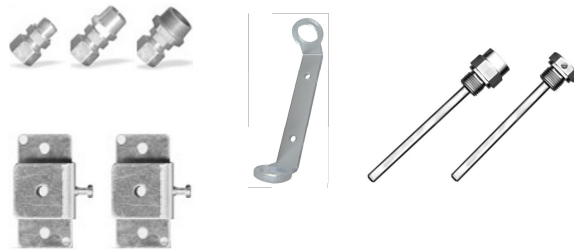
Tolerances* of NTC probes

Measuring range °C	Tolerances °C
from -20°C to 0°C	± 0,5°C
from 0°C to +70°C	± 0,2 °C
from +70°C to +100°C	± 0,5 °C

*all accuracies indicated in this technical data sheet were stated in laboratory conditions, and can be guaranteed for measurements carried out in the same conditions, or carried out with calibration compensation.

Accessories (See data sheet)

- Transmitter output 4/20 mA or 0/10V
- Wall fixing support
- Stainless steel mounting brackets
- ¼" or ½" Gas screw nut
- Stainless steel compression fitting
- Teflon or stainless steel ferrule for compression fittings
- Sleeve to weld for food industry
- Stainless steel union fitting
- ½" Gas or NPT thread cuff
- Thermo-conducting silicone grease
- Calibration certificate
- Thermowell



www.kimo.fr

EXPORT DEPARTMENT

Tel : + 33. 1. 60. 06. 69. 25 - Fax : + 33. 1. 60. 06. 69. 29

e-mail : export@kimo.fr



Distributed by :